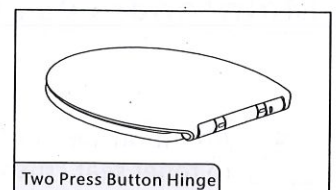
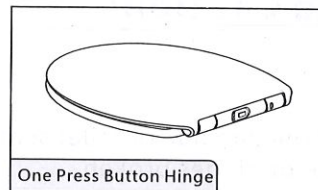
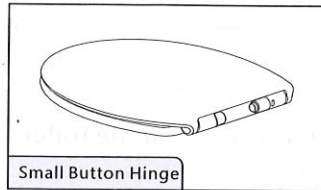
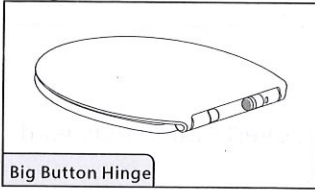


# Installation Instruction

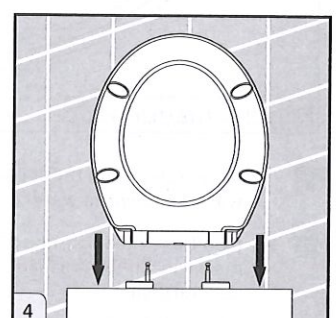
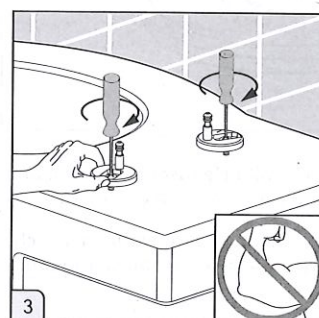
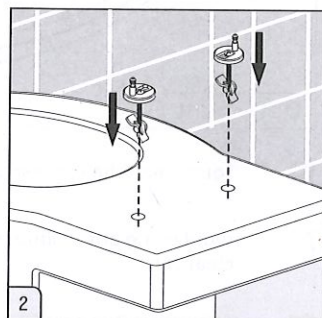
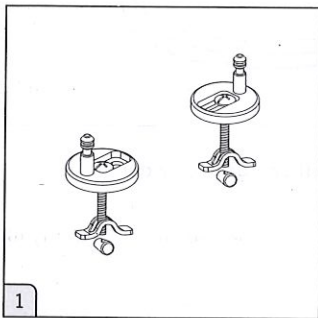


## Hinges

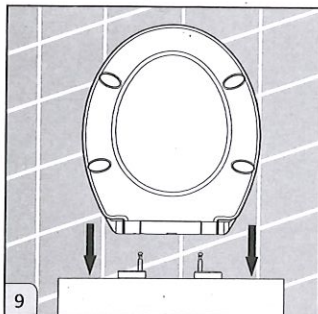
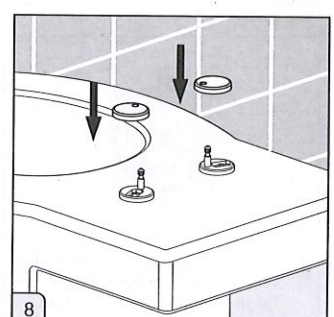
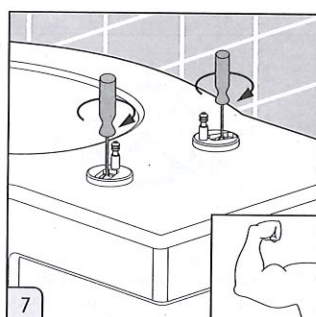
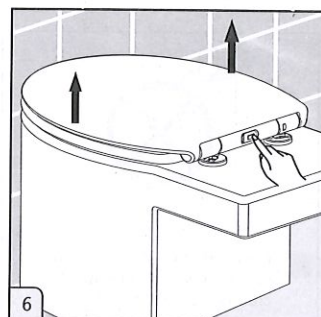
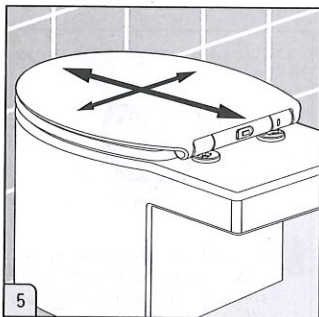


## Installation Steps

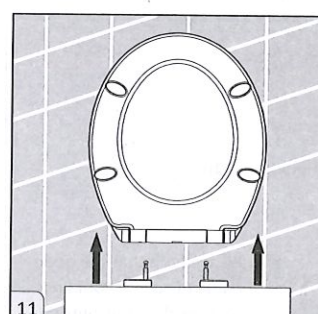
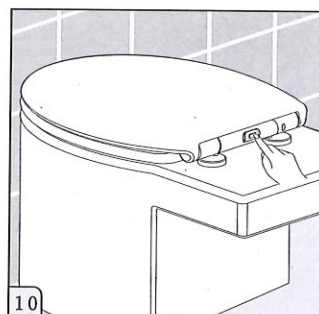
- Before installation, please check all spare parts are ready and match.
- All the above fittings are workable for installation, takes material object as the standard.



4. Before attaching the seat, move mounting bases so posts align with holes in the back of the seat. Once aligned, carefully lower the seat (holes) onto the mounting post.



9. When mounting the seat make sure the posts align with holes in the back of seat. And carefully lower seat back into place ("click" will heard).  
Note: Do not push hard or force seat onto posts. (If difficult, re-check alignment.)



11. To remove the seat, press the quick-release button (should hear a "click") and open seat to vertical position, then lift the seat straight up with one hand.